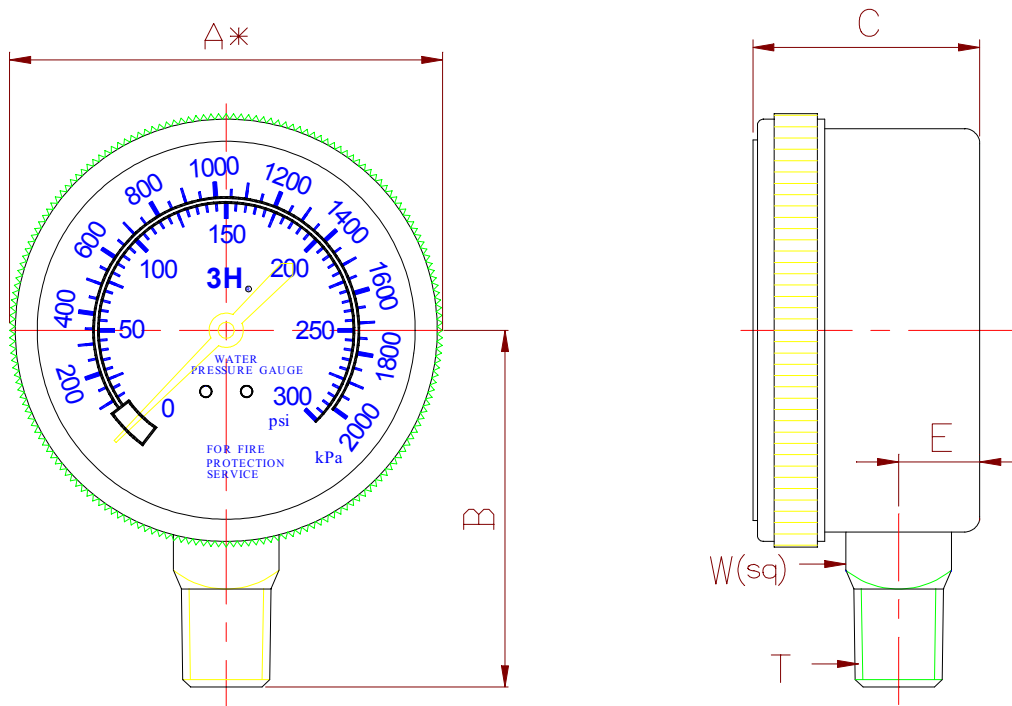


Sprinkler System Gauge(711 Type)



Lower Mount
(LM)

A*NOMINAL SIZE

3-1/2"	WEIGHT	KEY	A*	B	C	E	T	W
			mm	97.8	74.6	30.2	10.4	
		in	3.850	2.937	1.188	.409		.551

(DIMENSION CHANGE ALL RIGHTS RESERVED. BY AK.)