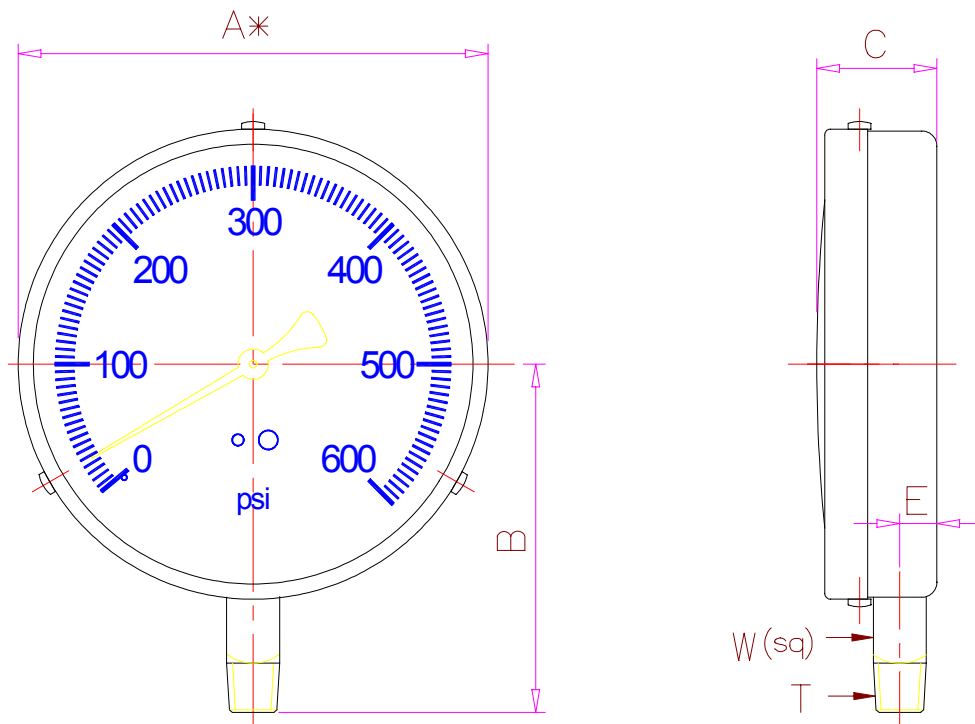


Mechanical Contractor's Gauge(712 Type)



Lower Mount
(LM)

A* NOMINAL SIZE

4-1/2" (LM)	WEIGHT	KEY	A*	B	C	E	T	W		
			mm	124	91.9	29			9.8	14
			in	4.882	3.618	1.142			.386	.551

(DIMENSION CHANGE ALL RIGHTS RESERVED. BY AK.)