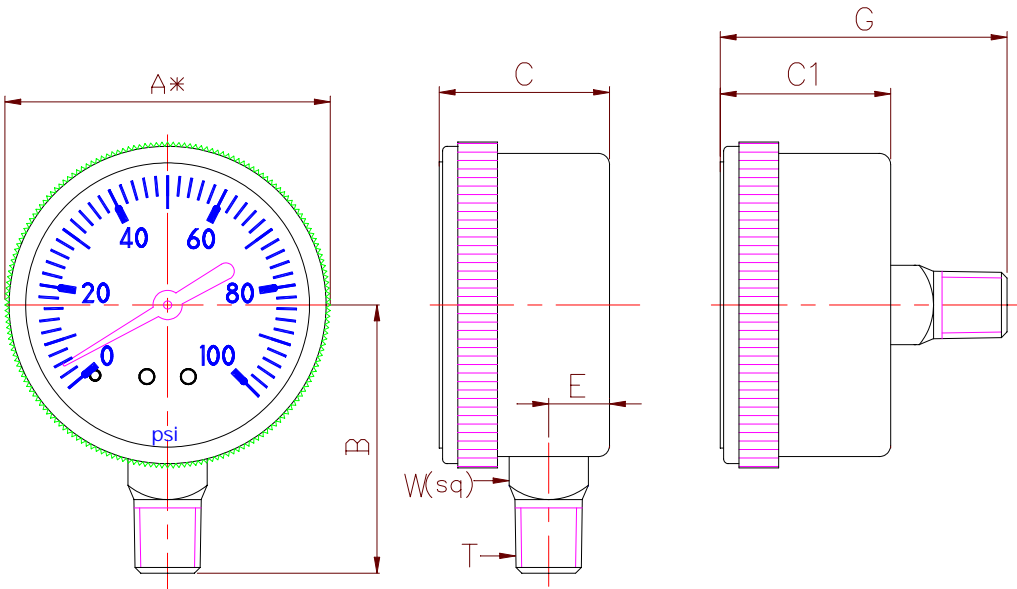


Compress Gas Gauge(512 Type)



**Lower Mount
(LM)**

**Center Back Mount
(CBM)**

A*NOMINAL SIZE

1.5"	WEIGHT	KEY	A*	B	C	C1	E	G	T	W
		mm		45.2	35.6	23.1	23.1	8.7	40.3	1/8"
	in		1.780	1.402	.909	.909	.343	1.587	.433	
2"	WEIGHT	KEY	A*	B	C	C1	E	G	T	W
	mm		57.5	47.7	30.1	30.1	10.5	45.8	1/8";1/4"	14.0
in		2.264	1.878	1.185	1.185	.413	1.803	.551		
2.5"	WEIGHT	KEY	A*	B	C	C1	E	G	T	W
	mm		72.0	59.0	31.2	29.7	11.0	47.7	1/8";1/4"	14.0
in		2.835	2.323	1.228	1.169	.433	1.878	.551		

(DIMENSION CHANGE ALL RIGHTS RESERVED. BY AK.)