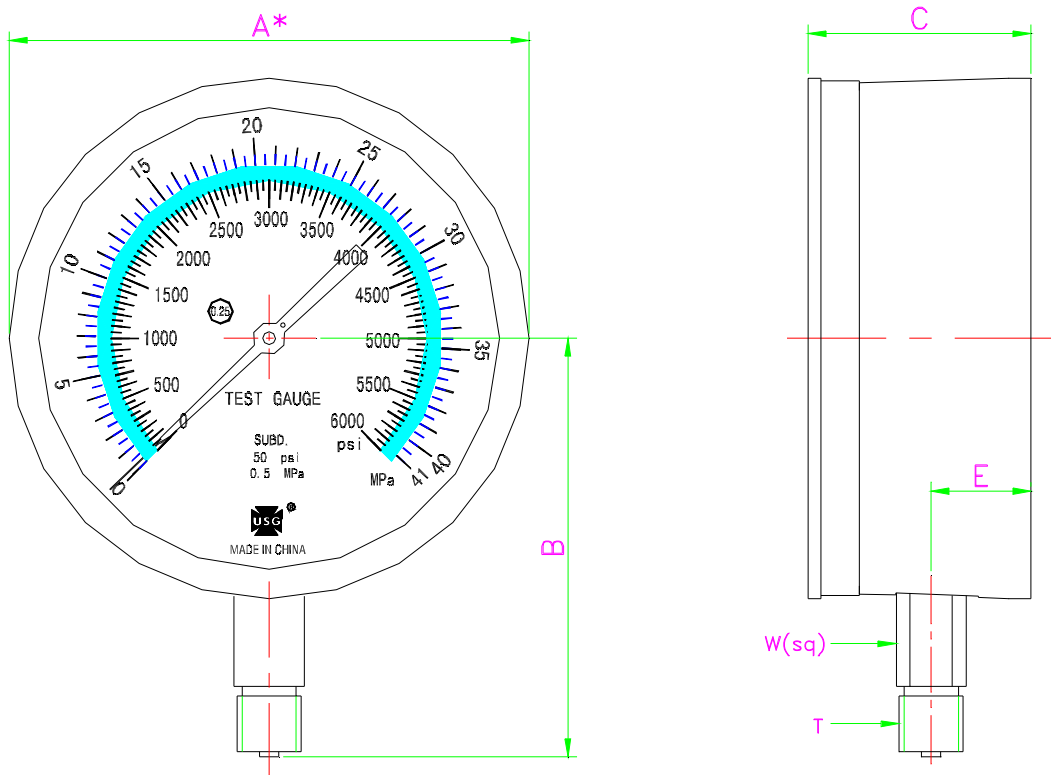


Type 1601 - Test Gauge



6"	WEIGHT KEY	A*		B	C	E	T	W
		mm	163	131	70	31.3	M20x1.5	22
		in	6.417	5.157	2.759	1.232		0.866

(DIMENSION CHANGE ALL RIGHTS RESERVED. BY AK)