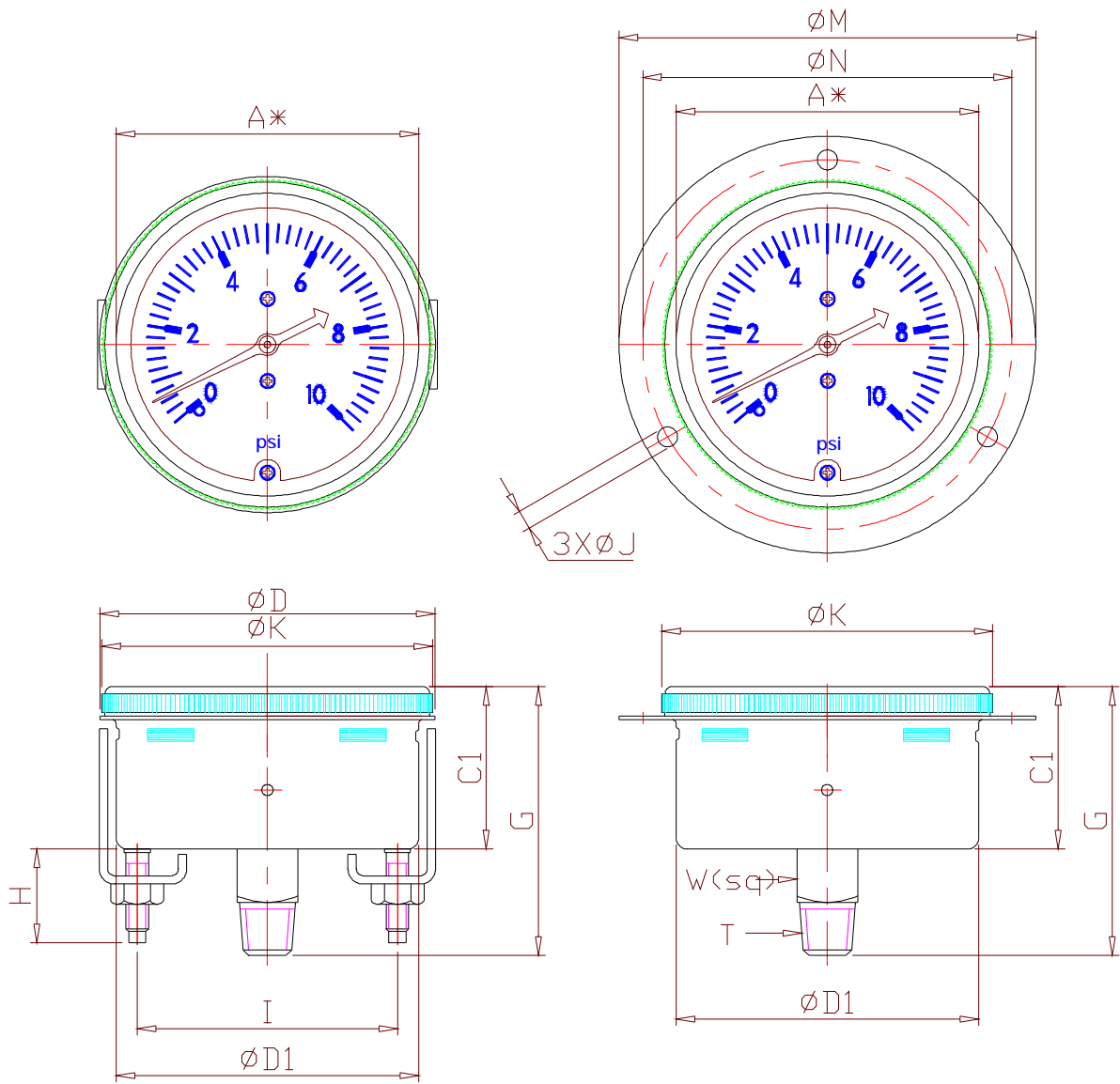


Diaphragm Gauge(Type 1011B)



U-CLAMP

FRONT FLANGE

A*NOMINAL SIZE

2.5"	WEIGHT	KEY	A*	C1	D	D1	G	H	I	J	K	N	M	T	W
			mm	65.0	35.2	71.12	64.7	56.9	20.2	56.0	4.0	71.1	79.3	89.3	
		in	2.559	1.386	2.80	2.547	2.240	.795	2.208	.157	2.799	3.122	3.516		.559

<DIMENSION CHANGE ALL RIGHTS RESERVED. BY AK.>