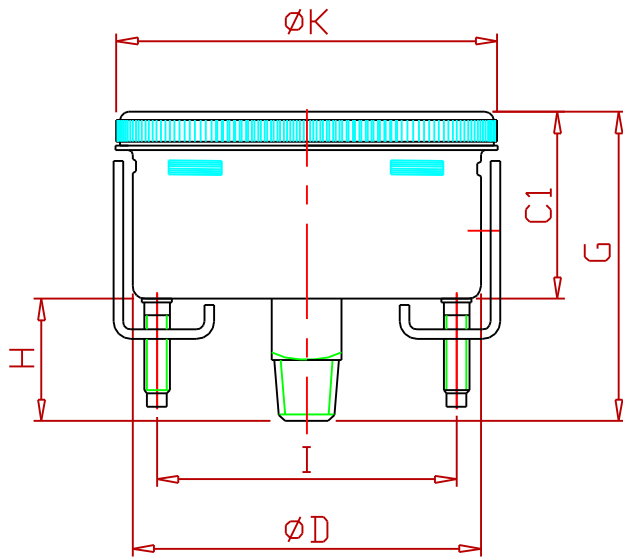
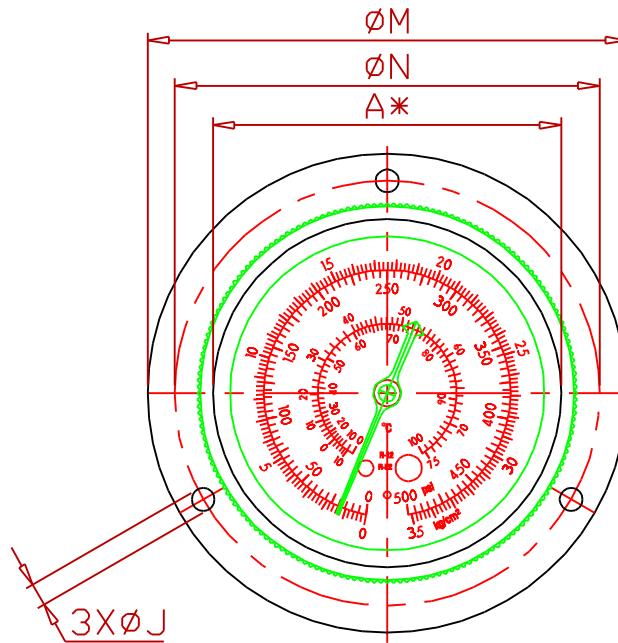
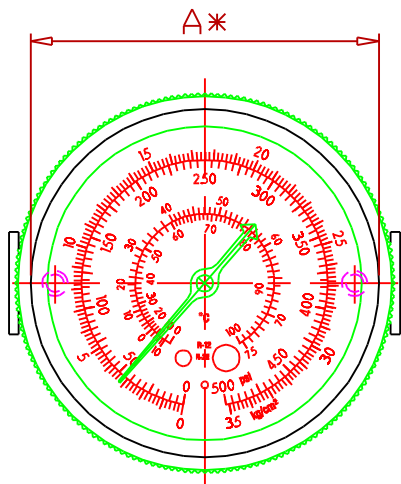
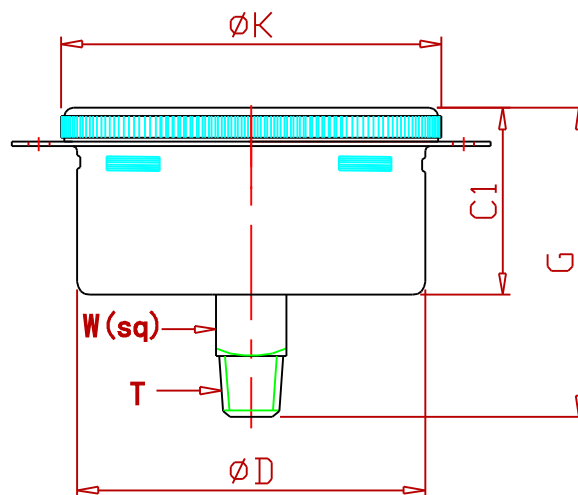


Refrigeration Gauge(312 &313 Type)



U-CLAMP
(CBM/UC)
(312 Type)



FRONT FLANGE
(CBM/FF)
(313 Type)

A*NOMINAL SIZE

2"	WEIGHT	KEY	A*	C1	D	G	H	I	J	K	N	M	T	W
			mm	33.0	53.1	51.0	20.2	41.2	4.0	57.2	65.1	71.5		
2-1/2"	WEIGHT	KEY	A*	C1	D	G	H	I	J	K	N	M	T	W
			mm	35.2	64.7	53.2	20.2	56.0	4.0	71.1	79.4	89.6		
3-1/2"	WEIGHT	KEY	A*	C1	D	G	H	I	J	K	N	M	T	W
			mm	34	92.5	52.2	18.2	82.6	4.0	98.4	107.95	122.9		

(DIMENSION CHANGE ALL RIGHTS RESERVED. BY AK.)

Revision:A , 99.11