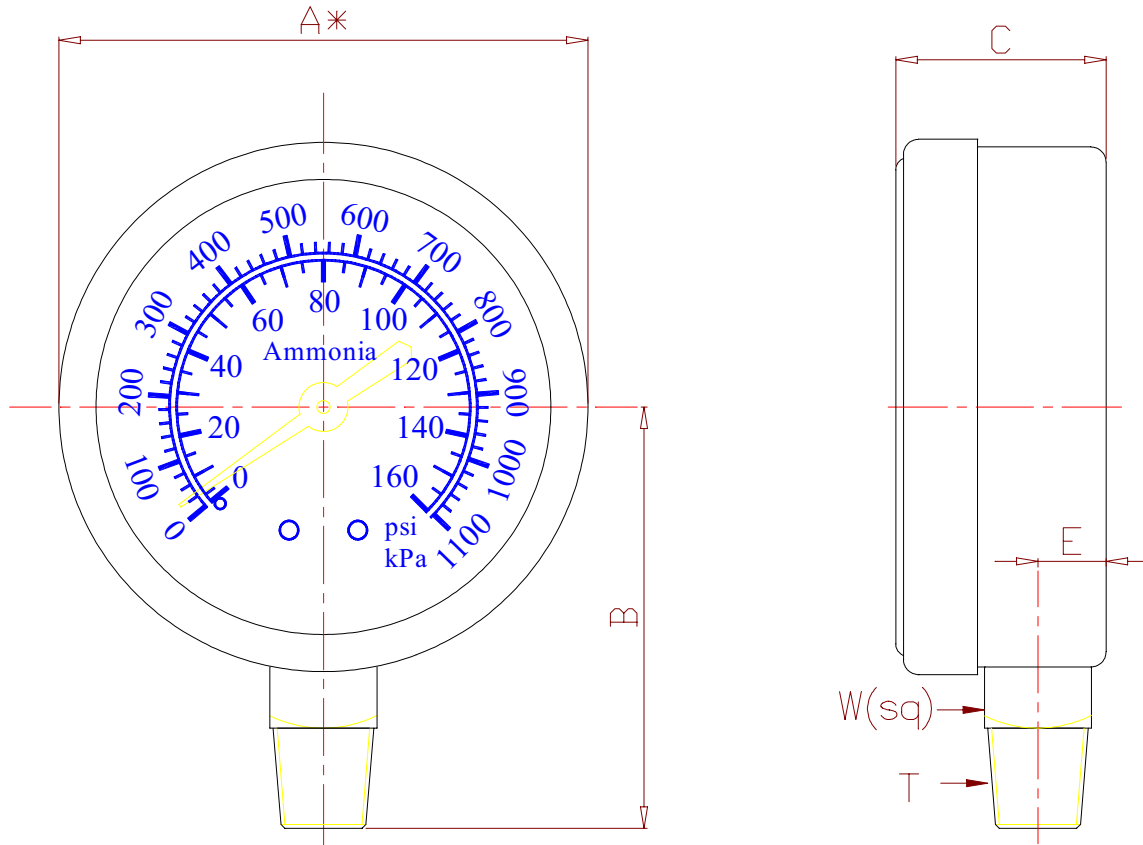


Ammonia Gauge(811 Type)



**Lower Mount
(LM)**

A*NOMINAL SIZE

	WEIGHT	KEY	A	B	C	E	T	W
2-1/2"		mm	63.2	53.6	29.8	9.8		14.0
		in	2.488	2.110	1.173	.386		.551
3-1/2"		A*	B	C	E	T	W	
		mm	89.6	66.8	30.2	10.1		14.0
		in	3.528	2.630	1.189	.398		.551

(DIMENSION CHANGE ALL RIGHTS RESERVED. BY AK.)