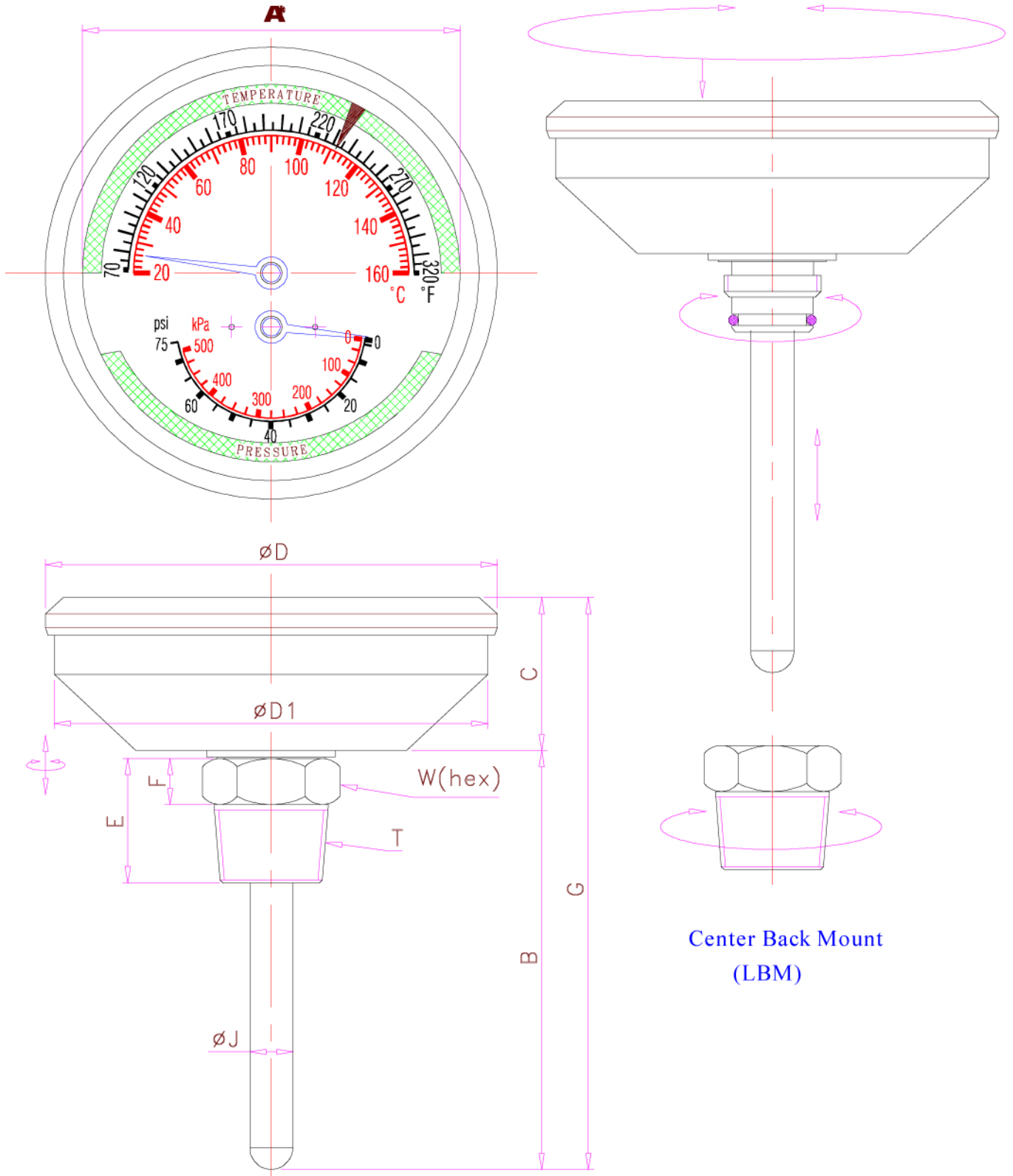


Type 913-B 3.5" Temperature & Pressure Combination Gauge



A * NOMINAL SIZE

3.5"	WEIGHT KEY												
			A*	B	C	D	D1	E	F	G	J	T	W
		mm	70.0	77.7	28.2	83.8	80.0	23.0	8.5	105.9	8.0	1/2"	22.0
		in	.276	3.059	1.110	3.299	3.150	.905	.335	4.169	0.315		.866