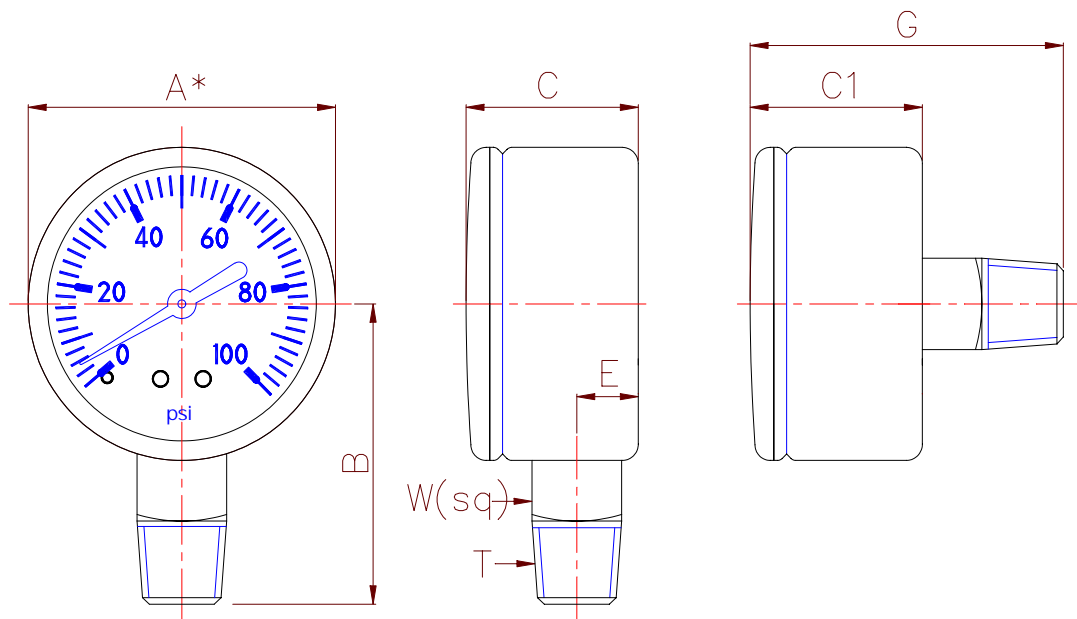


Utility Steel Case Gauge(129 Type)



**Lower Mount
(LM)**

**Center Back Mount
(CBM)**

A* NOMINAL SIZE

1.5"	WEIGHT KEY	A*	B	C	C1	E	G	T	W
		mm	40.8	36.8	24.0	24.0	8.3	39.8	1/8"
	in	1.606	1.449	.945	.945	.327	1.567	.433	
2"	WEIGHT KEY	A*	B	C	C1	E	G	T	W
		mm	48.7	45.7	27.8	27.8	9.5	49.8	1/8" ; 1/4"
	in	1.917	1.799	1.095	1.095	.374	1.961	.551	
2-1/2"	WEIGHT KEY	A*	B	C	C1	E	G	T	W
		mm	61.6	55.7	29.7	29.7	9.5	50.4	1/8" ; 1/4"
	in	2.425	2.193	1.169	1.169	.374	1.984	.551	

(DIMENSION CHANGE ALL RIGHTS RESERVED. BY AK.)