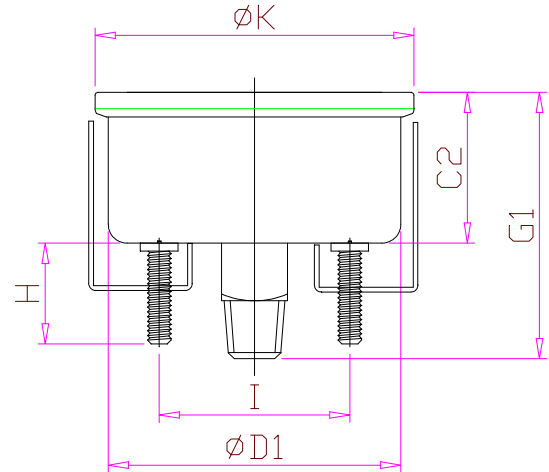
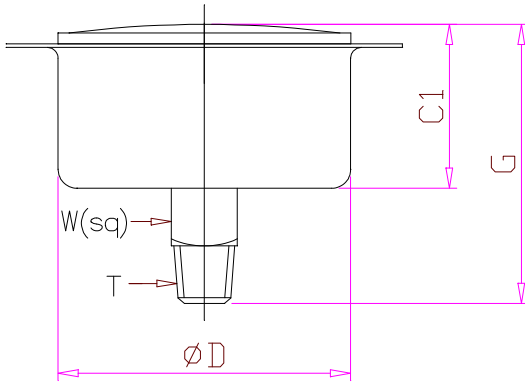
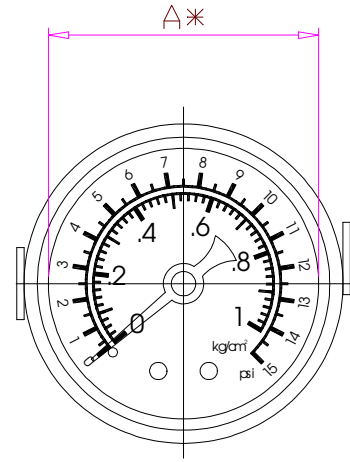
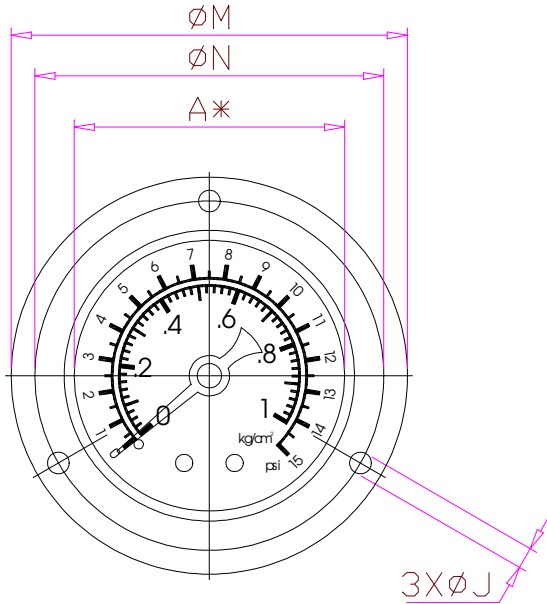


# Panel Mount Gauge (125& 127 Type)



**FRONT FLANGE  
(CBM/FF)  
(125 Type)**

**U-CLAMP  
(CBM/UC)  
(127 Type)**

A\*NOMINAL SIZE

1-1 1/2"	WEIGHT	KEY	A*	C1	C2	D	D1	G	G1	H	I	K	J	N	M	T	W		
				mm	39.6	22.7	26.6	40.5	40.5	38.5	41.5	10.2	28.6	43.7	3.0	48.6	55.0		11.0
			in	1.559	.894	1.047	1.594	1.594	1.516	1.634	.402	1.126	1.720	.118	1.913	2.165		.433	
2"	WEIGHT	KEY	A*	C1	C2	D	D1	G	G1	H	I	K	J	N	M	T	W		
				mm	48.0	28.5	27.6	49.9	50.5	52.0	49.9	21.7	35.8	57.2	3.0	60.5	65.0		14.0
			in	1.890	1.122	1.087	1.965	1.988	2.047	1.965	.854	1.410	2.252	.118	2.382	2.560		.551	
2-1/2"	WEIGHT	KEY	A*	C1	C2	D	D1	G	G1	H	I	K	J	N	M	T	W		
				mm	58.0	30.6	33.9	59.9	62.1	52.1	58.4	21.7	40.5	67.7	4.4	78.0	85.2		14.0
														4.4	72.0	85.2			
														2.5	65.5	71.5			
														.173	3.071	3.354			
			in	2.283	1.205	1.335	2.358	2.445	2.051	2.299	.854	1.594	2.665	.173	2.835	3.354		.551	
														.098	2.579	2.815			
3"	WEIGHT	KEY	A*	C1	C2	D	D1	G	G1	H	I	K	J	N	M	T	W		
				mm	77.5	34.3	/	80.5	/	63.4	/	/	/	5.0	93.0	104.			
			in	3.051	1.350	/	3.169	/	2.496	/	/	/	.197	3.661					
4"	WEIGHT	KEY	A*	C1	C2	D	D1	G	G1	H	I	K	J	N	M	T	W		
				mm	100.4	33.4	/	103.4	/	62.5	/	/	/	5.0	116.0	128.3		18.0	
			in	3.953	1.315	/	4.071	/	2.461	/	/	/	.197	4.567	5.051		.701		

(DIMENSION CHANGE ALL RIGHTS RESERVED. BY AK.)

Revision: C '02.06