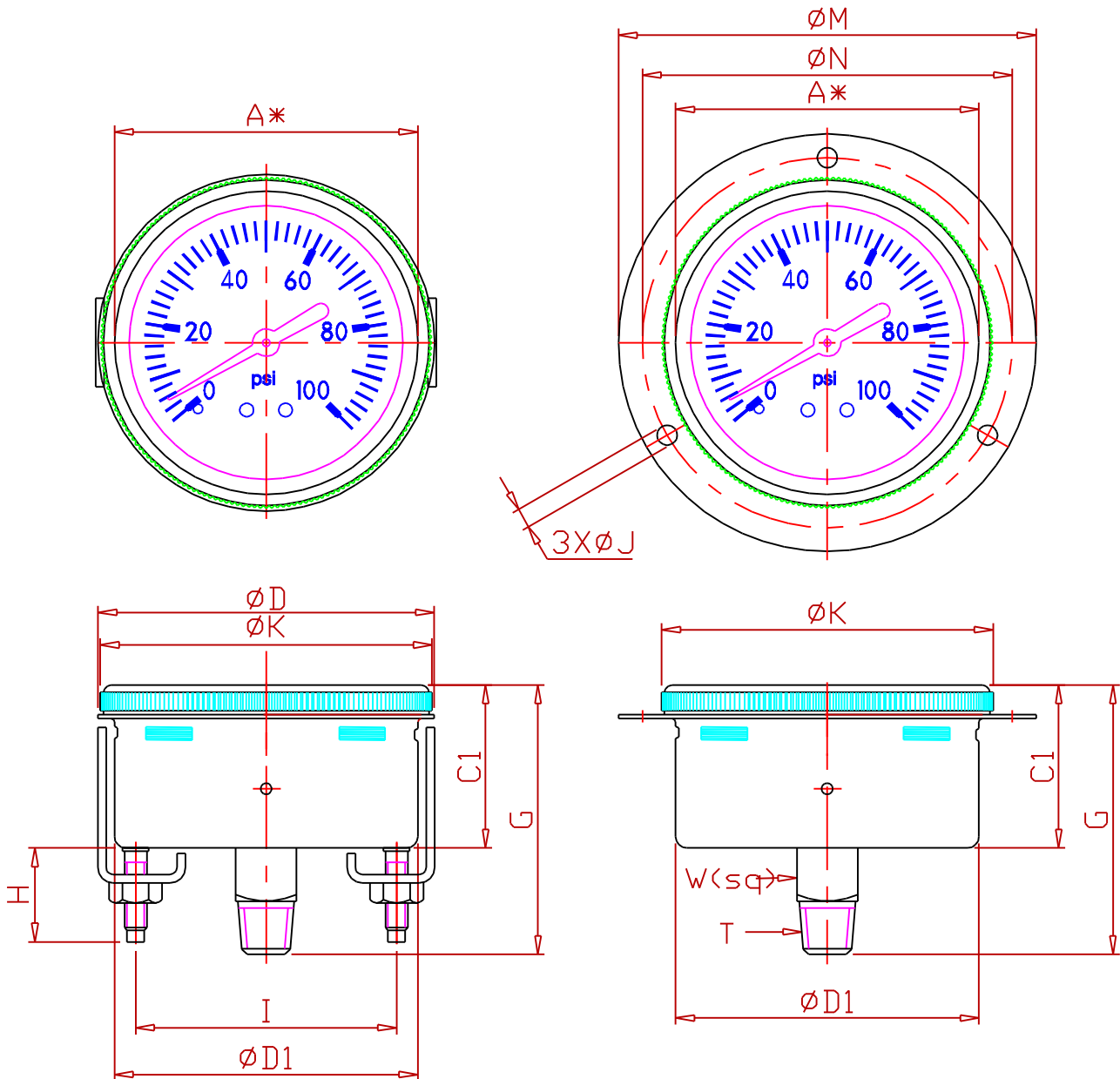


# Panel Mount Gauge(126&128 Type)



**U-CLAMP  
(CBM/UC)  
(126 Tpye)**

**FRONT FLANGE  
(CBM/FF)  
(128 Tpye)**

A\* NOMINAL SIZE

	WEIGHT	KEY	A*	C1	D	D1	G	H	I	J	K	N	M	T	W
2"		m m	53.6	34.0	57.8	53.5	52.2	20.2	41.2	4.0	57.2	65.0	71.6		14.2
		in	2.110	1.339	2.276	2.106	2.055	.795	1.622	.157	2.252	2.559	2.819		.559
2-1/2"		m m	65.0	35.2	71.12	64.7	53.4	20.2	56.0	4.0	71.1	79.3	89.3		14.2
		in	2.559	1.386	2.80	2.547	2.102	.795	2.208	.157	2.799	3.122	3.516		.559
3-1/2"		m m	90.9	34	100.0	92.5	52.2	20.6	82.6	5.5	98.4	107.95	122.9		14.2
		in	3.579	1.339	3.937	3.642	2.055	.811	3.252	.217	3.874	4.25	4.839		.559

(DIMENSION CHANGE ALL RIGHTS RESERVED. BY AK.)

Revision: A '03.01