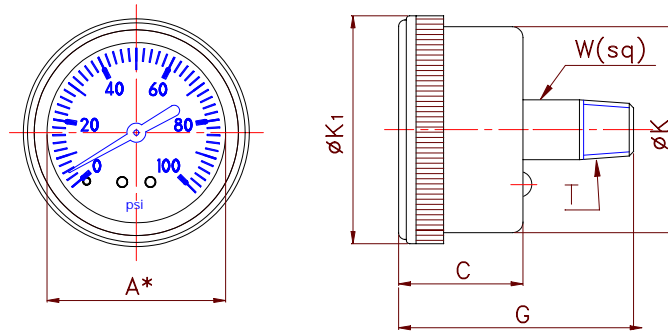
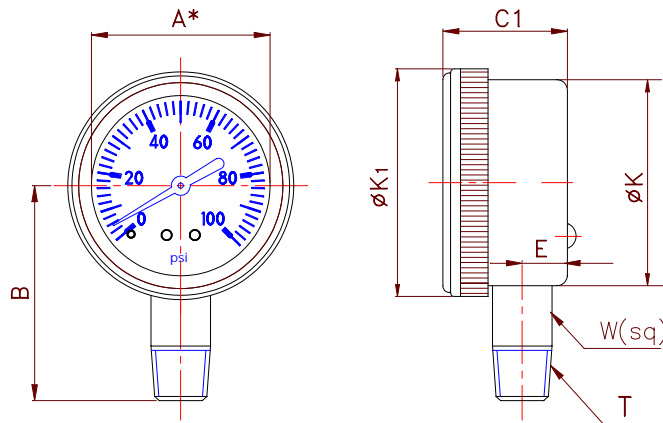


All Stainless Steel Dry Gauge(613 Type)



**Center Back Mount
(CBM)**



**Lower Mount
(LM)**

A*NOMINAL SIZE

2"	WEIGHT	KEYA*	ϕK	$\phi K1$	C	C1	E	G		B		T	W
	m	48.0	53.4	57.6	29.4	29.4	10.7	48.6	52.6	49.6	53.6	1/8"	11
in	1.890	2.102	2.268	1.157	1.157	.421	1.913	2.071	1.953	2.110	1/4"	.433	.551

(DIMENSION CHANGE ALL RIGHTS RESERVED. BY AK.)