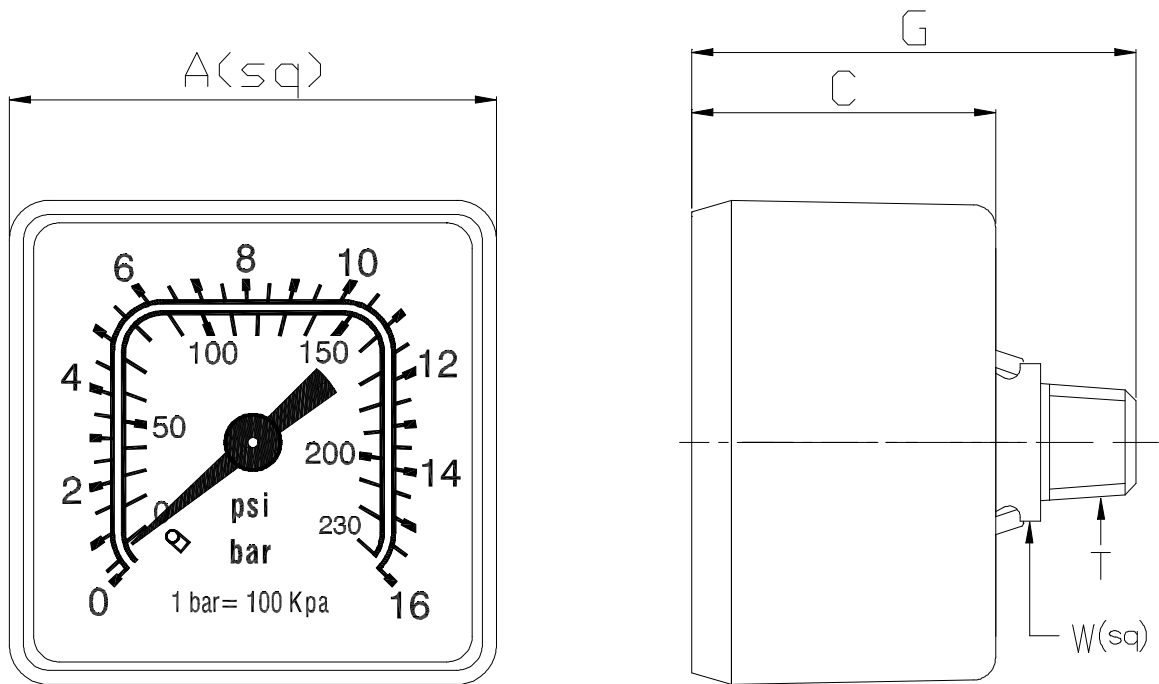


# Utility Plastic Gauge(214 Type)



## Center Back Mount (CBM)

A\*NOMINAL SIZE

	WEIGHT	KEY	A*	C	G	T	W
1-1/2"		mm	43.3	27.0	39.5		14.0
		in	1.705	1.063	1.555		

(DIMENSION CHANGE ALL RIGHTS RES