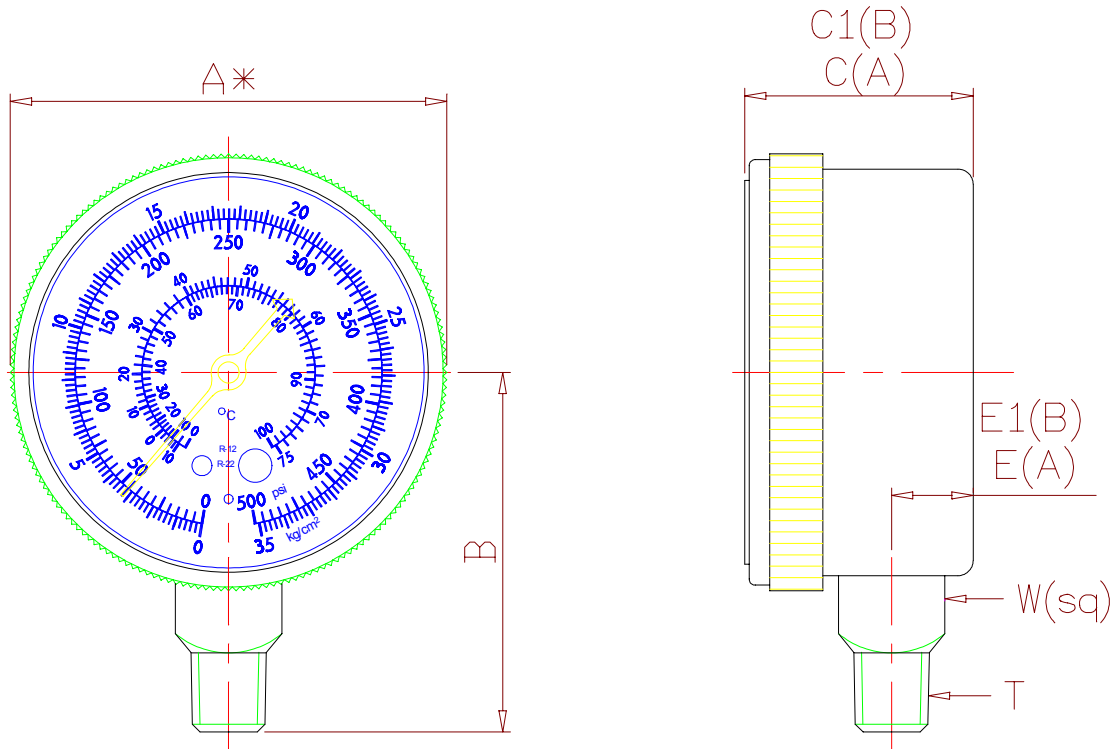


Refrigeration Gauge(311 Type)



Lower Mount

A*NOMINAL SIZE

2-1/2"	WEIGHT	KEY	A*	B	C	E	C1	E1	T	W
			mm	72.0	54.2	30.4	11.2	29.4	9.5	
		in	2.835	2.134	1.197	.441	1.157	.374		.551

(DIMENSION CHANGE ALL RIGHTS RESERVED. BY AK.)