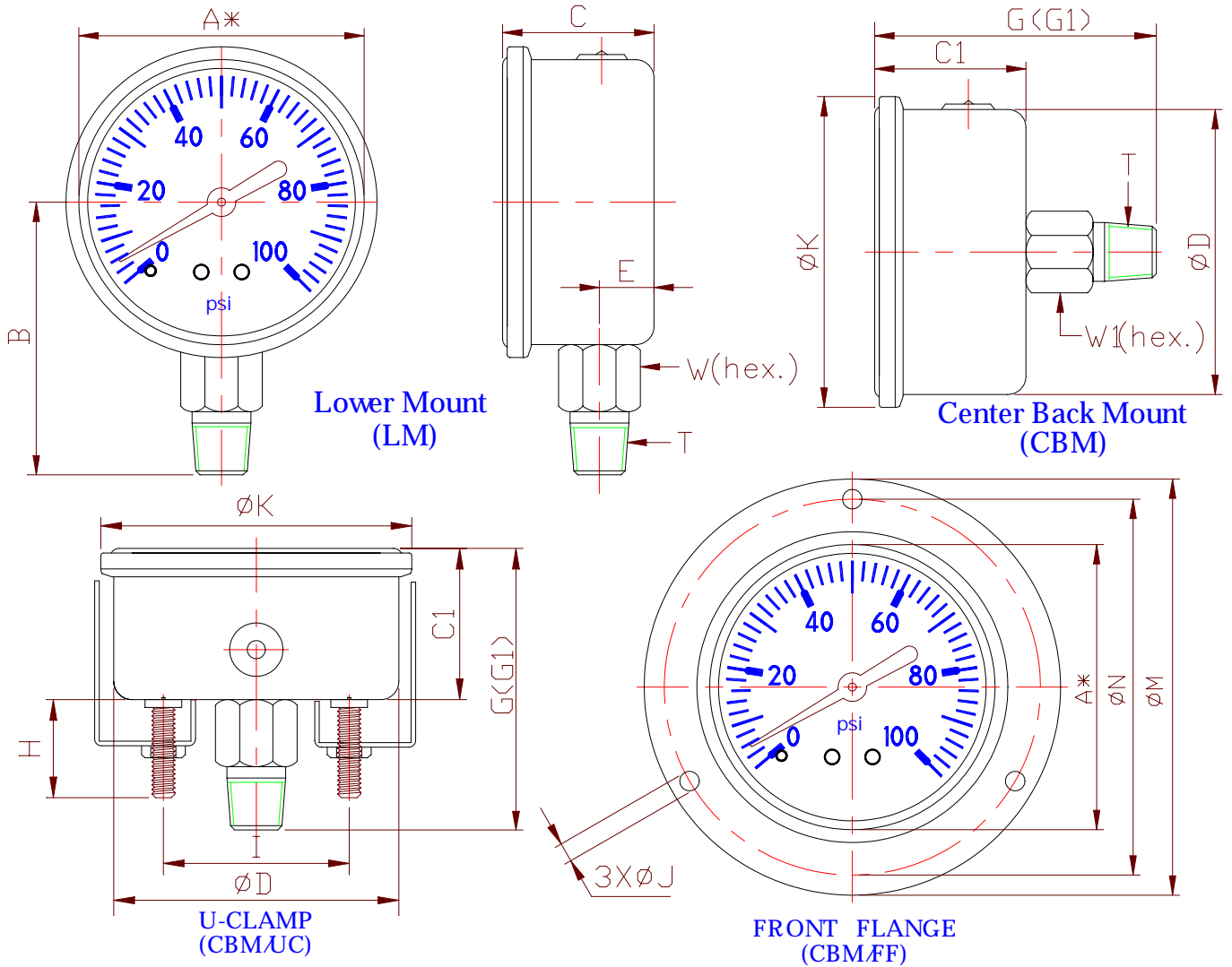


# Liquid Filler SST Case Gauge(411B Type)



A\*NOMINAL SIZE

1-1/2" CBM	I	H	A*	B	C	C1	D	E	G	G1	K	J	N	M	T	W
mm	28.6	10.2	37.4	/	/	27.8	40.7	/	53.8	56.0	43.9	3.0	48.4	56.4	1/8";1/4"	14.0
in	1.126	0.402	1.472	/	/	1.095	1.602	/	2.118	2.205	1.728	.118	1.906	2.220		.551
2"	I	H	A*	B	C	C1	D	E	G	G1	K	J	N	M	T	W
mm	35.8	21.5	48.4	49.0	28.6	28.6	51.7	10.1	54.6	57.6	57.5	3.2	61.6	71.4	1/8";1/4"	14.0
in	1.410	0.847	1.906	1.929	1.126	1.126	2.035	0.398	2.150	2.268	2.264	.126	2.425	2.811		.551
2-1/2"	I	H	A*	B	C	C1	D	E	G	G1	K	J	N	M	T	W
mm	40.5	21.5	56.0	54.6	30.6 32.9	32.6	59.8 60.8 62.2	9.6	58.6	/	68.8 67.8	(4.0) 3.2 4.3	(72.0) 74.5 79.0	(83.0) 84.8 88.0	1/8";1/4"	14.0
in	1.595	0.847	2.205	2.150	1.205 1.295	1.284	2.354 2.394 2.449	0.378	2.307	/	2.709 2.669	(.158) .126 .169	(2.835) 2.933 3.110	(3.268) 3.339 3.465		.551
4"	I	H	A*	B	C	C1	D	E	G	G1	K	J	N	M	T	W
mm	85.0	21.5	89.8	73.5 (84.5)	32.0	33.7	98.7	10.4	59.7	(67.7) (70.0)	104.7	6.0	118.0	129.6	1/4";(3/8" 1/2")	14; (18; 21;22 )
in	3.347	0.847	3.535	2.894 (3.327)	1.260	1.327	3.886	0.410	2.350	(2.665) (2.756)	4.122	0.236	4.646	5.102		.551; (.708 .828; .866)

(DIMENSION CHANGE ALL RIGHTS RESERVED. BY AK.)