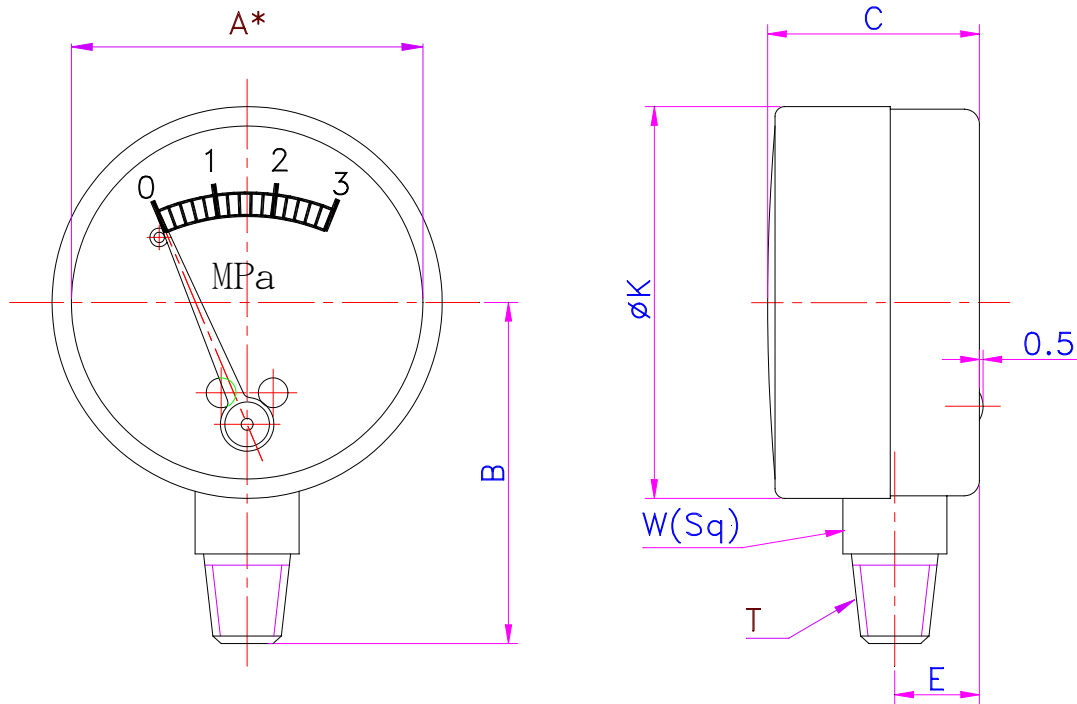


# Movementless Utility Gauge(716 Type)



A NOMINAL SIZE

2"	WEIGHT KEY		A*	B	C	C1	E	øK	T	W
			mm	47.3	45.7	28.5		11.4	52.5	1/8" ; 1/4"
		in	1.862	1.799	1.122		.449	2.067	.551	

(DIMENSION CHANGE ALL RIGHTS RESERVED. BY AK.)