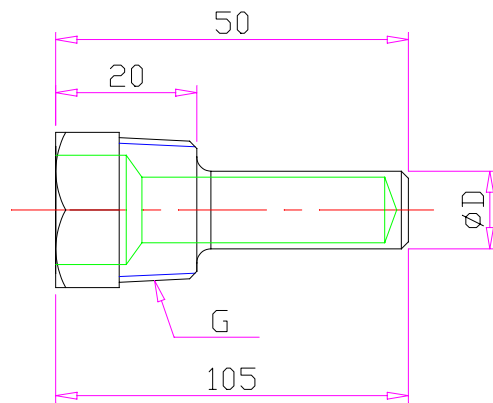
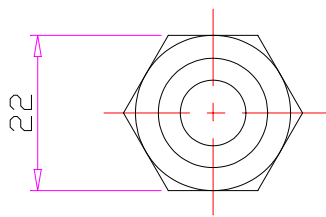
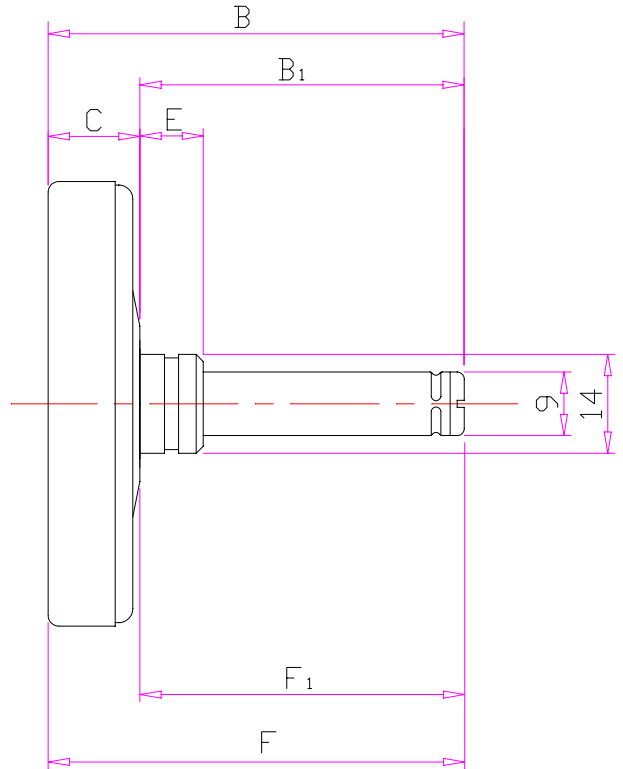
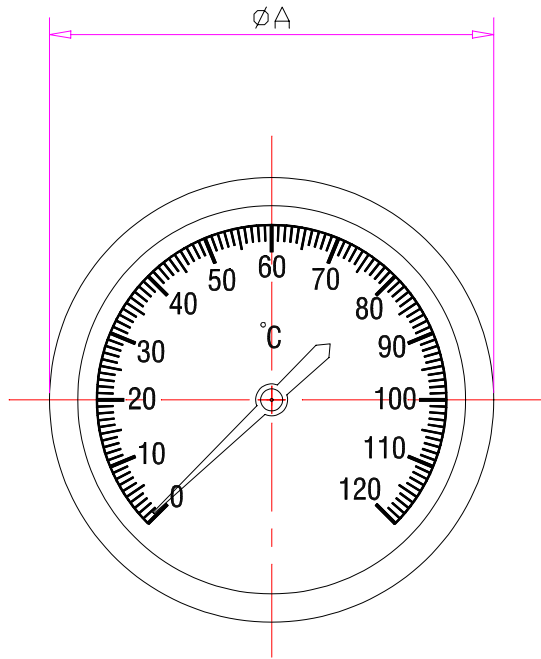


# Thermometer

# (1303Type)



## Center Back Mount (CBM)

A* NOMINAL SIZE		KEY	Ø	A	B	B'	C	E	F	F'	Ø	D	G
2.5"	WEIGHT	KEY	Ø	A	B	B'	C	E	F	F'	Ø	D	G
		mm		63.0	64.0	50.0	14.0	20.0	114.0	100.0	11.0		1/2"
3"	WEIGHT	KEY	Ø	A	B	B'	C	E	F	F'	Ø	D	G
		mm		80.0	64.0	50.0	14.0	20.0	114.0	100.0	11.0		1/2"
			in	2.480	2.520	1.969	.551	.787	4.488	3.937	.433		
			in	3.150	2.520	1.969	.551	.787	4.488	3.937	.433		

(DIMENSION CHANGE ALL RIGHTS RESERVED. BY AK.)