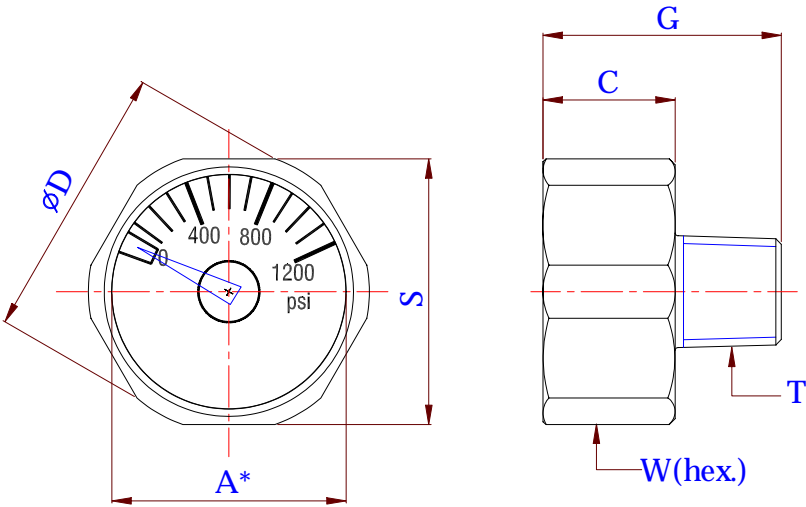


Movementless Mini Chrome-pltd Brass Case Gauge (717 Type)



Center Back Mount (CBM)

A\* NOMINAL SIZE

1"	WEIGHT	KEY	A*	C	$\phi D$	G	S	T	W
		mm	20.8	10.7	25.4	19.8	24.0	1/8"	24.0
		in	.819	.421	1.000	.780	.945		.945

(DIMENSION CHANGE ALL RIGHTS RESERVED. BY AK.)