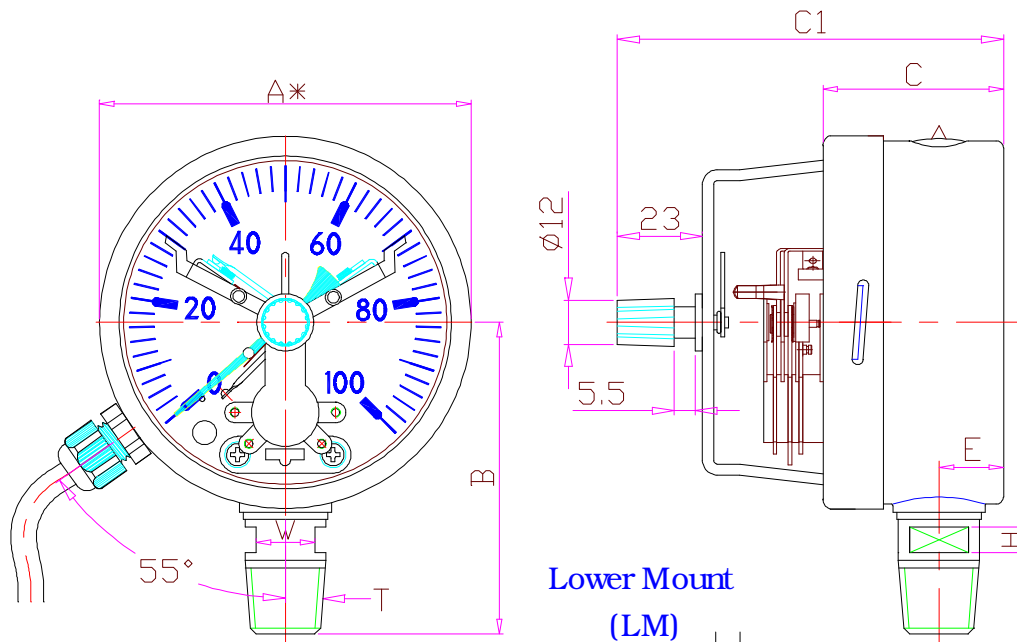
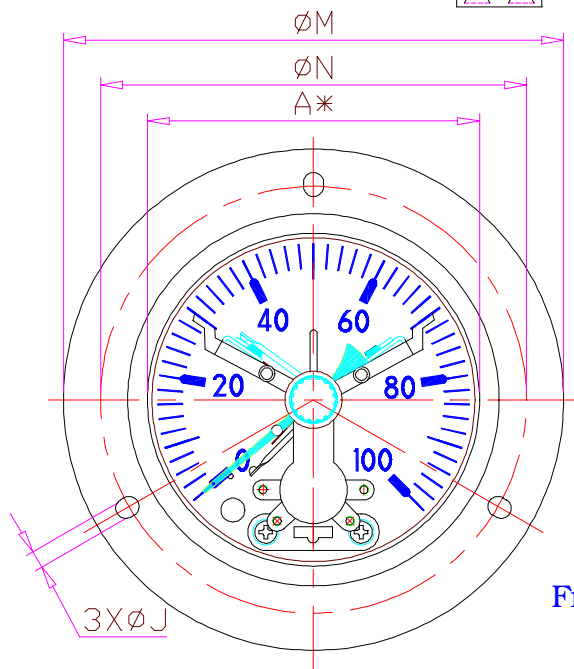
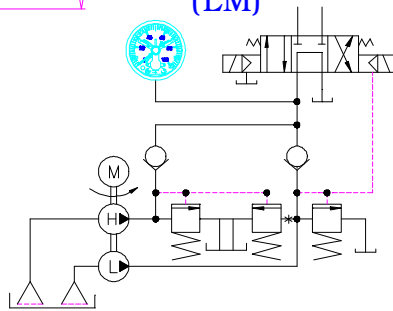


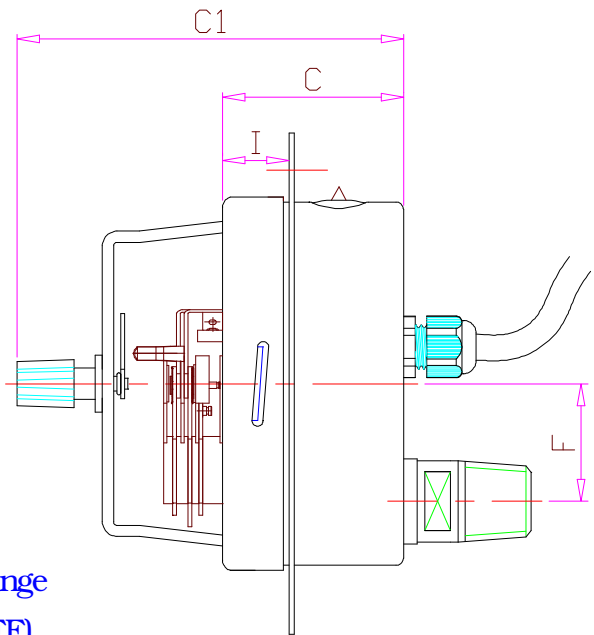
Electric Contact Pressure Gauge(1101 Type)



Lower Mount
(LM)



Front Flange
(LBM/FF)



A* NOMINAL SIZE

4"	WEIGHT	KEY	A*	B	C	C1	D	E	F	G	H	I	J	M	N	T	W
			mm	101.6	84.6	48.4	99.5	98.5	17.1	32.0	85.1	10.0	17.5	5.5	136.3	116	
		in	4.000	3.331	1.906	3.917	3.878	.673	1.259	3.350	.394	.689	.217	5.366	4.571		.657

(DIMENSION CHANGE ALL RIGHTS RESERVED. BY AK.)

Revision: C '01.10