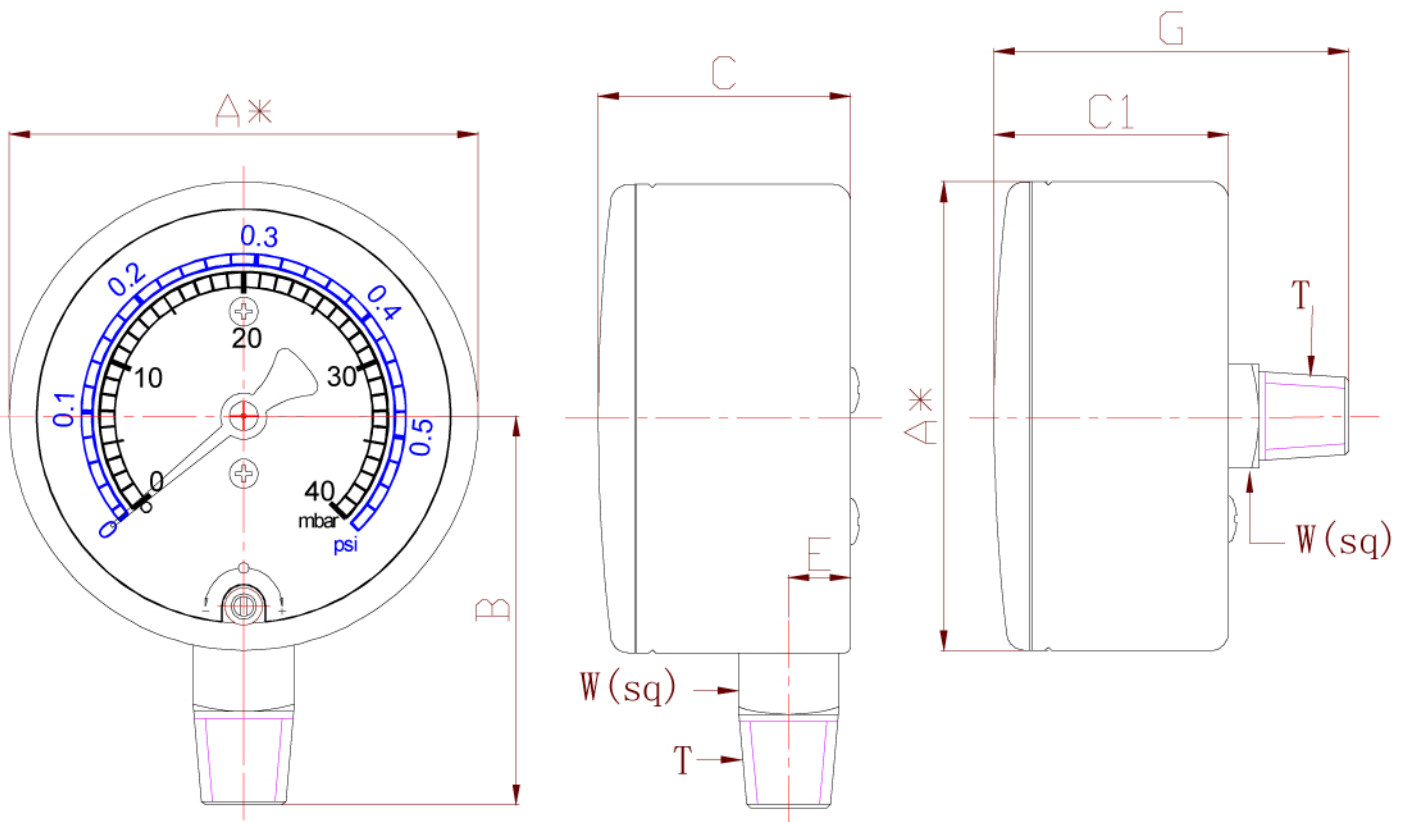


# Type1011 Low Pressure Diaphragm Gauge



Lower Mount  
(LM)

Center Back Mount  
(CBM)

	WEIGHT KEY	A*	B	C	C1	E	G	T	W
2.5"	m m	65.1	55.0 / 51.0	35.0	32.5	8.6	54.2	1/4"	14.0
	in	2.563	2.205 / 2.008	1.378	1.279	.339	2.134	1/8"	.551
3"	m m	75.7	62.0	39.5	36.5	9.5	X	1/4"	14.0
	in	2.98	2.44	1.555	1.437	.374		1/8"	.551
4"	m m	98.7	80.0	47.5	39.5	13.5	X	1/2"	22.0
	in	3.885	3.149	1.87	1.555	.531		1/4"	.866