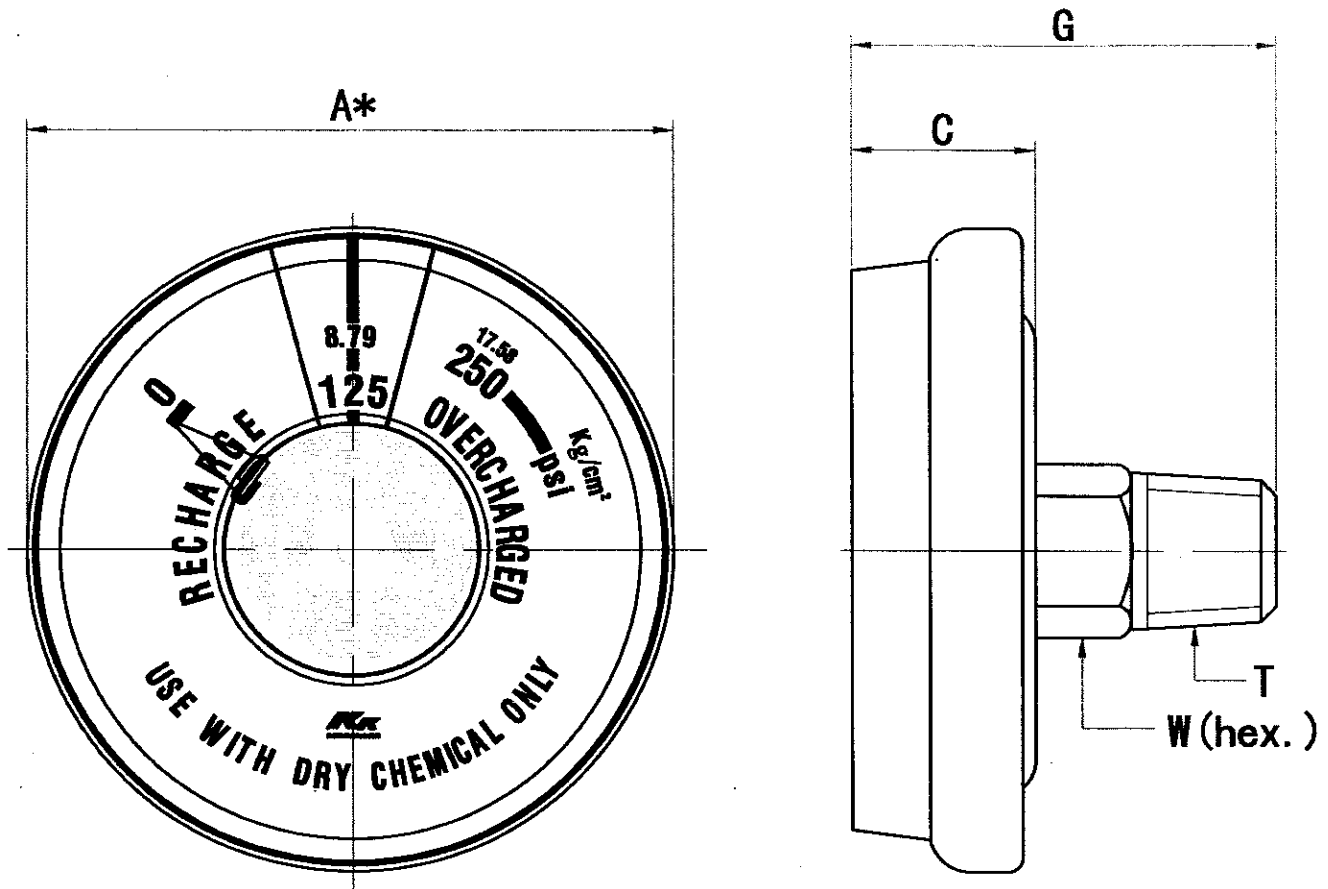


Fire Extinguisher Gauge(713 Type)



Center Back Mount
(CBM)

A* NOMINAL SIZE

	WEIGHT	KEY	A*	C	G	T	W		
1.4"		mm	36.0	11.5	26.0	1/8"	11		
		in	1.417	.453	1.024		.433		
1.6"	WEIGHT	KEY	A*	C	G		T	W	
					mm	40.8			12.5
	in	1.606	.492	1.091	1.366	1/4"		.433	.551

(DIMENSION CHANGE ALL RIGHTS RESERVED. BY AK.)